

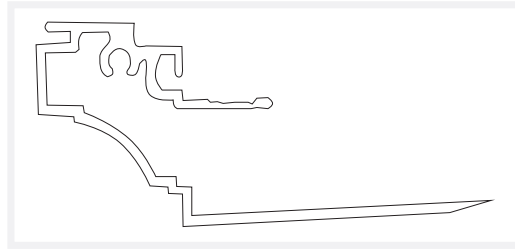
OUTSWING CLADDING

FRONTLINE®'S REVOLUTIONARY CLAD SYSTEM FOR
OUTSWING ENTRY DOORS

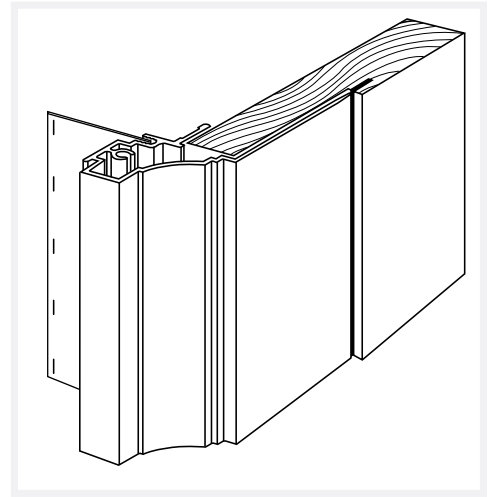




Outswing Clad



Outswing Clad
Top View



Outswing Clad

FEATURES:

- Heavy-duty .062 min. wall
- Baked-on wet paint finish
- No exterior exposed fasteners
- Pre-routed hinge and latch cutouts
- Single or double doors

STANDARD COLORS

- White, Bronze, Sandstone, Bahama Brown, Terratone, Green, Almond, Eggshell, Wineberry, Beige, Black, Iron Ore and Arctic Silver

Offered exclusively by FrontLine® Bldg. Products Inc. A perfect complement to your maintenance-free entry door.



www.frontlinebldg.com | sales@frontlinebldg.com | 920-393-1340