


Oversized Direct Set Sizing Parameters:
 -100 Sqft. maximum
 -Width and height not to exceed 120"

ARCHITECTURAL WINDOWS

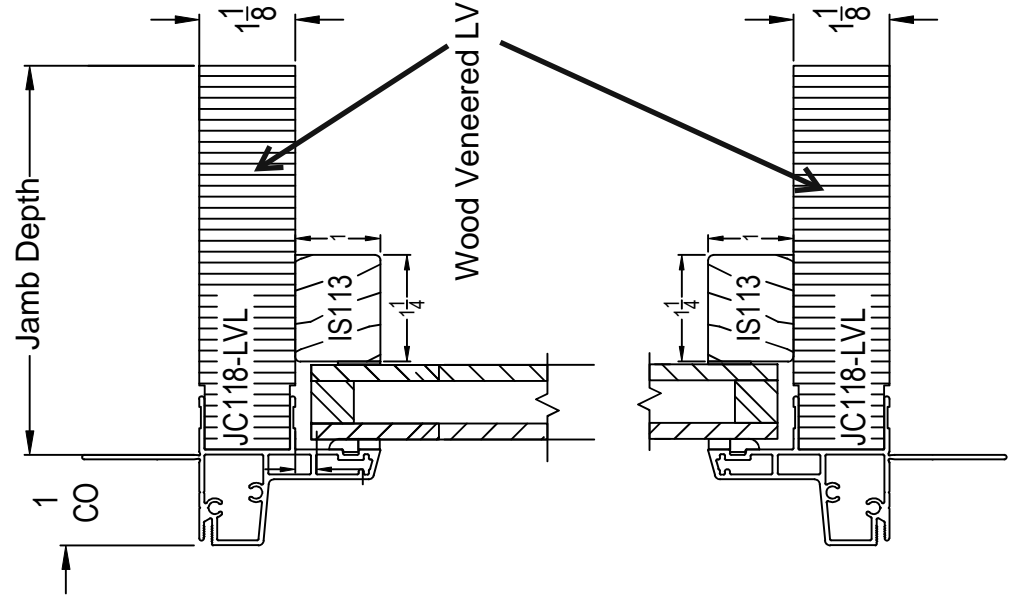


Member of the Bay Family of Companies

P.O. BOX 505
 610 JENSEN DR
 MEDFORD, WI 54451

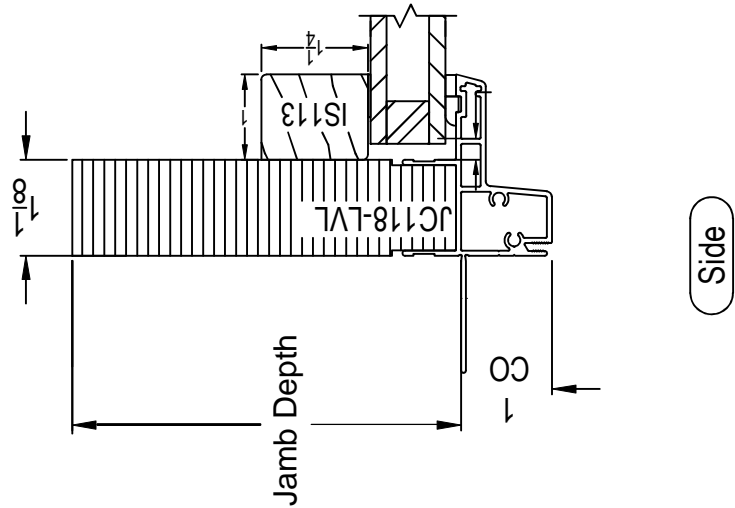
PH: 715-748-2288
 1-800-223-4792
 FAX: 715-748-2881

1-1/8" Oversized Direct Set Frame



Head

Sill



Side

DESC: ODS X-SECTION	INT CASING: NA	GLASS: TEMPERED LOW-E (MULTIPLE OPTIONS AVAILABLE)
JAMB: VARIABLE	EXT CASING: NONE	IG SPACER: STAINLESS OR BLACK
HEAD FIN: FIN APPLIED	INT FINISH: NATURAL PINE	GIA: INQUIRE FOR AVAILABILITY
SILL FIN: APPLIED	EXT FINISH: AAMA 2605 KYNAR	GRILLE: MULTIPLE SDL OPTIONS AVAILABLE
SIDE FIN: APPLIED		