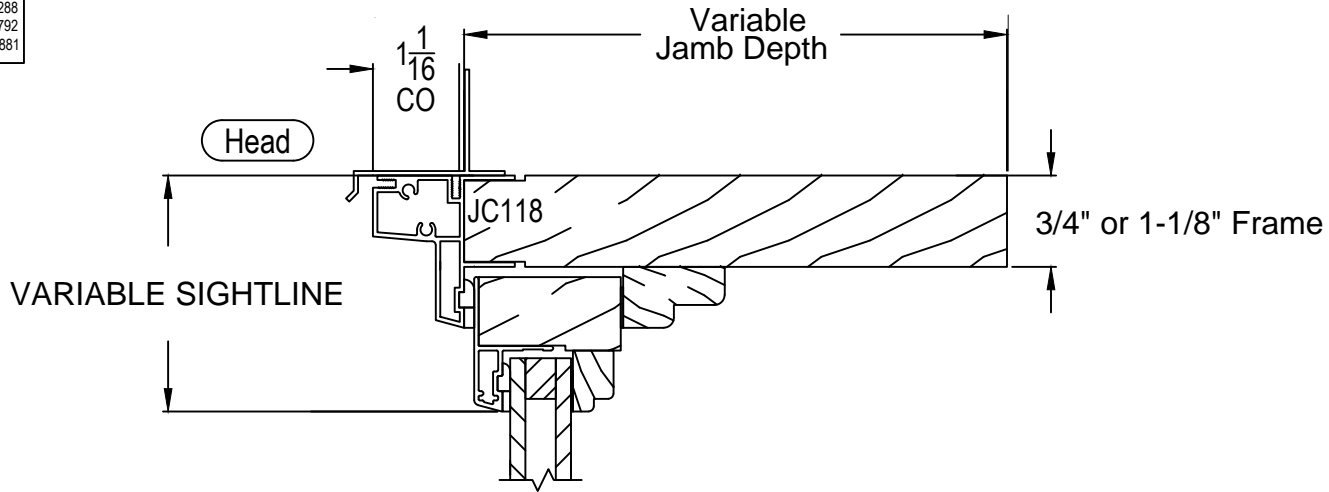




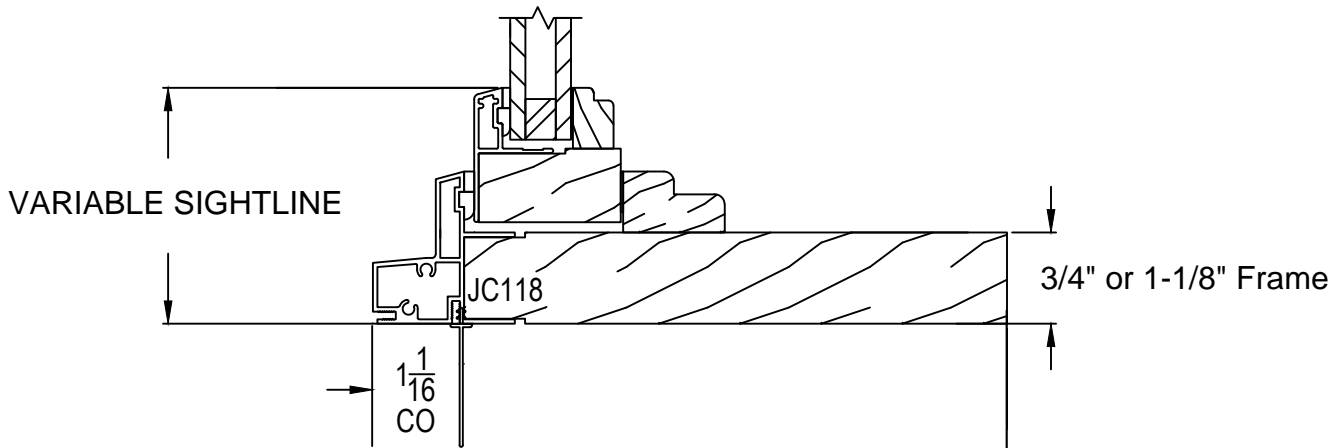
P.O. BOX 505  
610 JENSEN DR  
MEDFORD, WI 54451

PH: 715-748-2288  
1-800-223-4792  
FAX: 715-748-2881

CUST:	PO#:	DWG#:
SHEET: 3/4" or 1-1/8" Clad Direct Set X-SECTION VIEW	Lot ID#:	SO#:
		DUE DATE: ----



### 3/4" or 1-1/8" Clad Sash Set



DESC: 3/4" or 1-1/8" Clad Direct Set	INT CASING: NA	GLASS: Multiple glass options available. Call for details
JAMB : Variable	EXT CASING: NONE	IG SPACER: Multiple
HEAD FIN: Optional Drip Cap	INT FINISH: Unfinished, Primed or Painted	GIA: Multiple
SILL FIN: NAIL FIN APPLIED	EXT FINISH: AAMA 2605 Kynar	GRILLE: SDL, Grille between glass or wood removable Multiple profiles available
SIDE FIN: NAIL FIN APPLIED	SIGHTLINE: Variable per request	QTY:
		DRAWN BY: *
		DWG DATE: 05/19/21