

ARCHITECTURAL WINDOWS

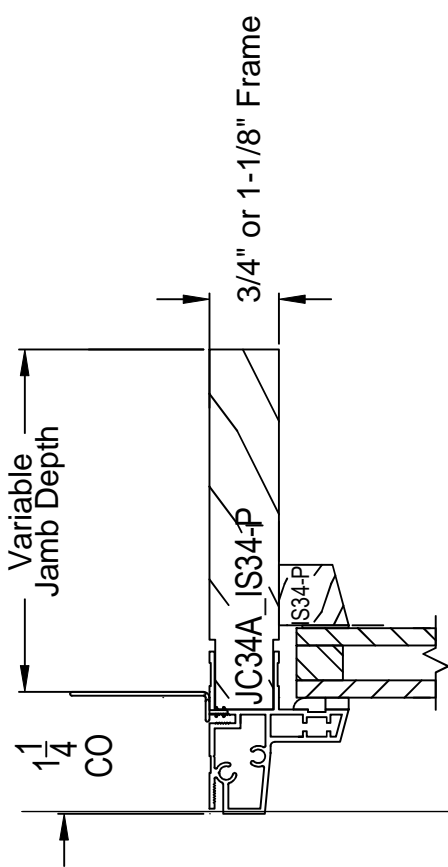


P.O. BOX 505
 610 JENSEN DR
 MEDFORD, WI 54451
 PH: 715-748-2288
 1-800-223-4792
 FAX: 715-748-2881

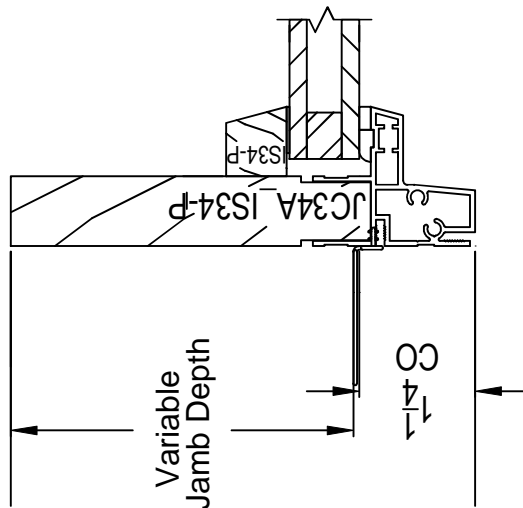
FrontLine 3/4" or 1-1/8" Clad Direct Set

FrontLine 3/4" Direct Set Flush Frame
 Available in units up to 35 sqft.

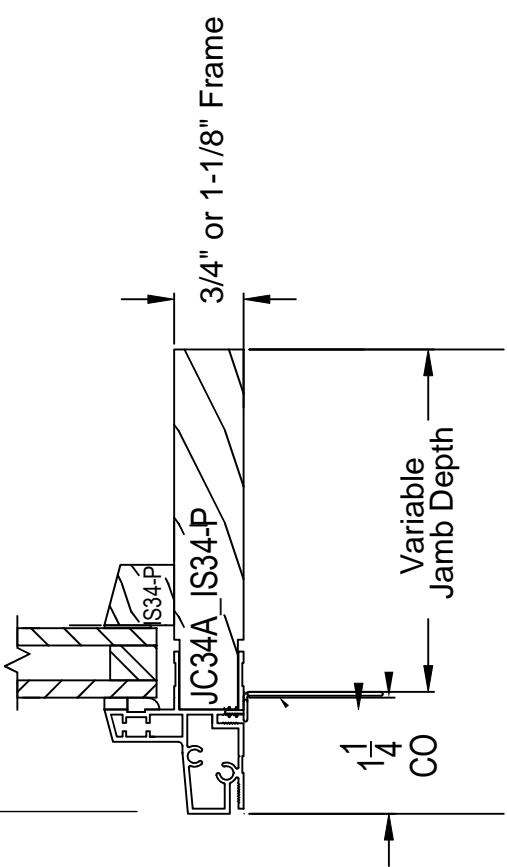
FrontLine 1-1/8" Direct Set Flush Frame
 Available in units up to 50 sqft.



Head



Side



Sill

| | | |
|----------------------------|---|--|
| DESC: 3/4" or 1-1/8" Frame | INT FINISH: Unfinished, Primed, Painted | GLASS: Multiple glass options available. Call for details. |
| Jamb: Variable | EXT FINISH: AAMA 2605 Kynar | IG SPACER: Multiple Options |
| HEAD FIN: Applied | INT CASING: Optional | GIA: Multiple Options |
| SILL FIN: Applied | EXT CASING: Optional | GRILLES: SDL, GIA, Wooden Removable |
| SIDE FIN: Applied | | |